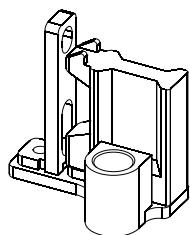
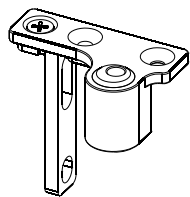


**ARÍSTO**<sup>®</sup>

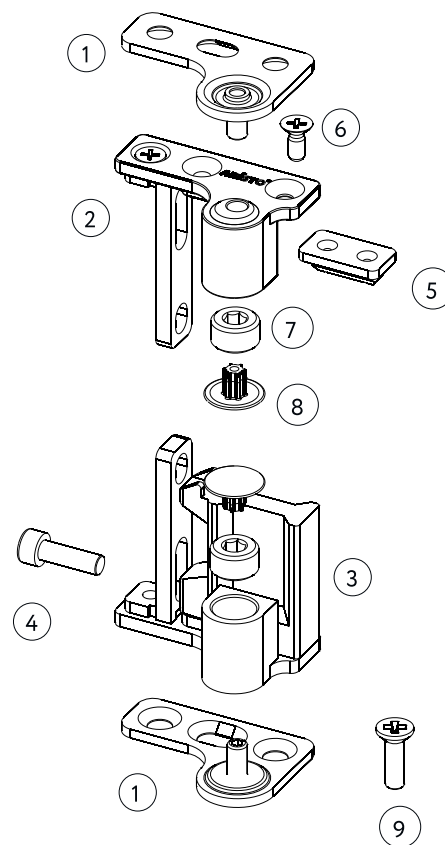
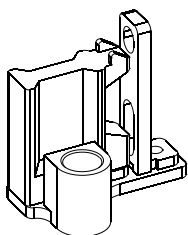
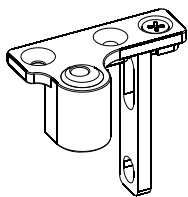
aluminium  
profile system

**Pivot adjustable. Installation Instruction  
(Standard System)**

Left side opening  
(packed by default)



Right side opening  
(re-assembled manually)

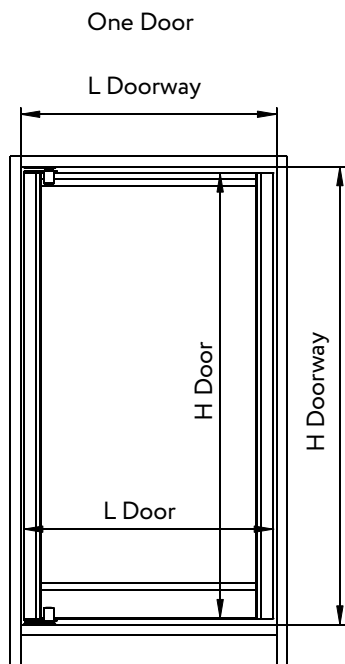


One set includes:

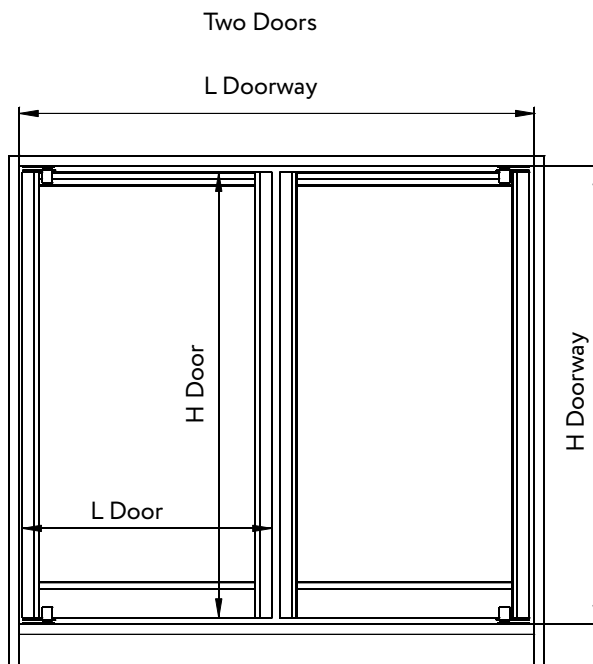
- 1. Pivot System Base
- 2. Top Attachment Element
- 3. Bottom Attachment Element
- 4. Screw

- 5. Plastic Attachment Element
- 6. Screw
- 7. Lock-nut - 2 pcs.
- 8. Hole Cover - 2 pcs.
- 9. Euroscrew - 6 pcs.

## Calculation of the Door Sizes



$$L \text{ Door} = L \text{ Doorway} - 10 \text{ mm}$$

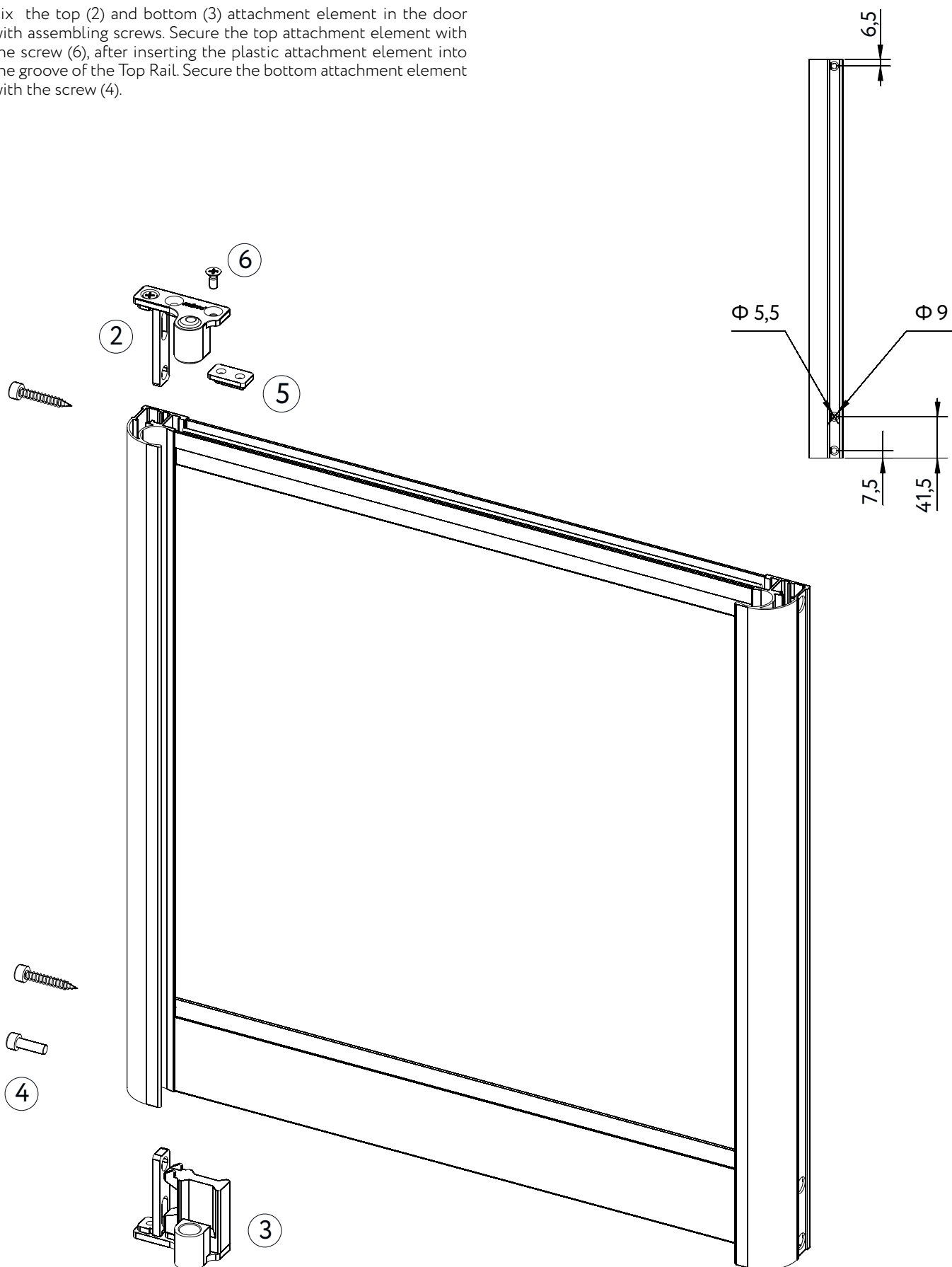


$$L \text{ Door} = (L \text{ Doorway} - 20 \text{ mm})/2$$

$$H \text{ Door} = H \text{ Doorway} - 20 \text{ mm}$$

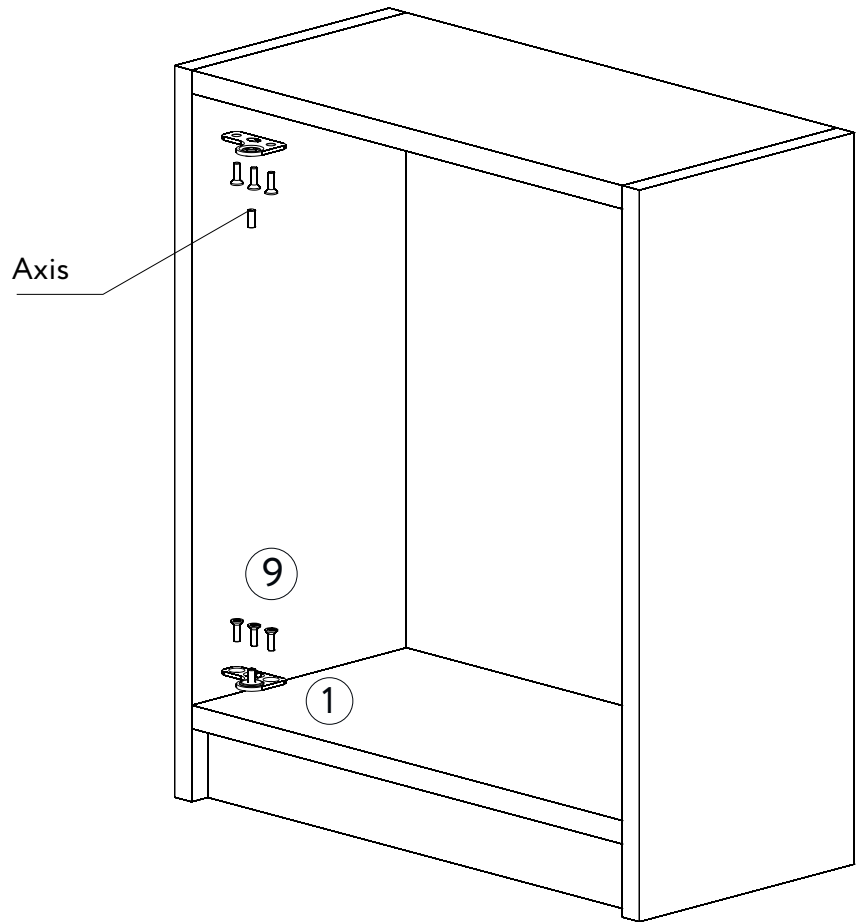
## Step 1.

Fix the top (2) and bottom (3) attachment element in the door with assembling screws. Secure the top attachment element with the screw (6), after inserting the plastic attachment element into the groove of the Top Rail. Secure the bottom attachment element with the screw (4).

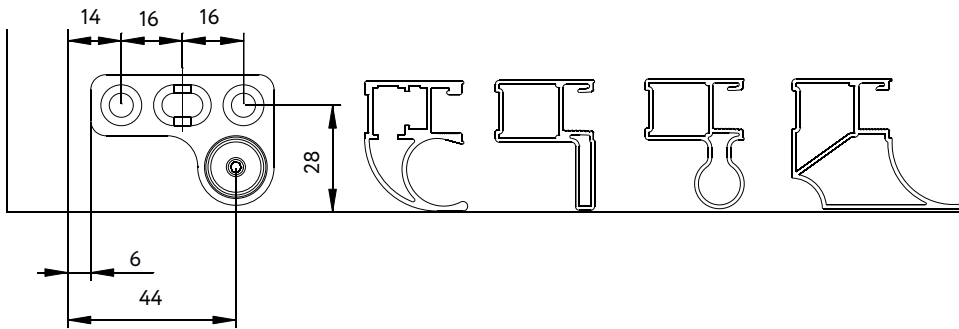


Step 2.

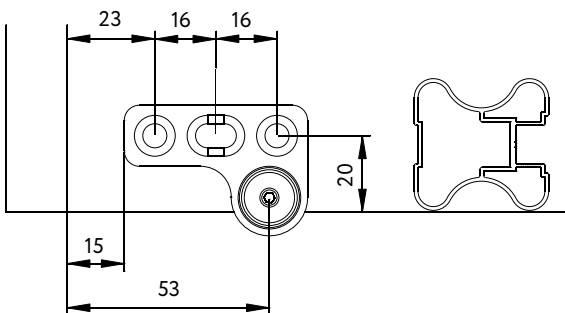
Install top and bottom pivot system base in a cabinet or doorway. Unscrew the axis from the top base using an Allen key. For installation in a cabinet use euroscrews from the set.



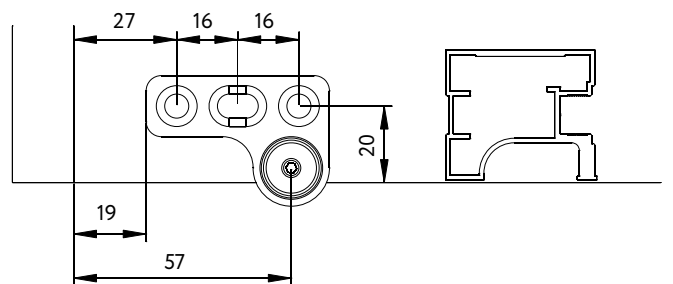
Stile C, I, O, Flat.



Stile H

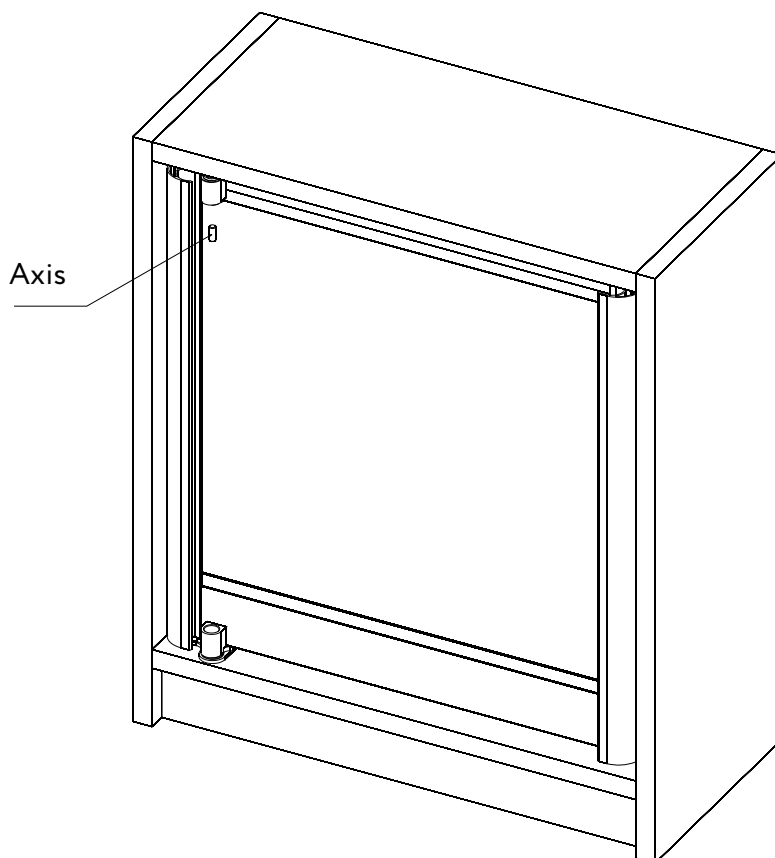


Stile Fusion



## Step 3.

Install the door on the bottom axis and fix the top axis through the attachment element of the door.



## Step 4.

Adjust the door in three dimensions with an Allen key by turning the eccentric inside the top (2) and bottom (3) attachment element. After adjustment, tighten the lock-nut (7) into the attachment elements and install the hole covers (8).

