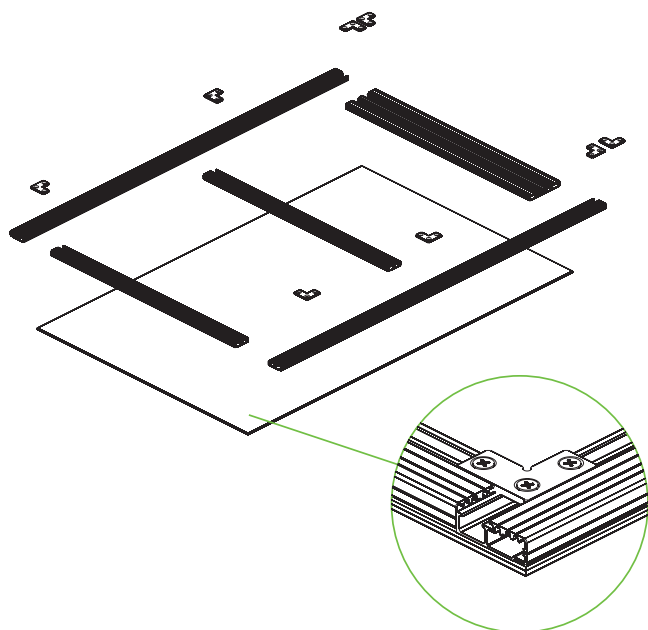


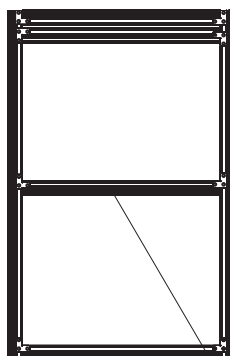
- 1 Before assembling the door, prepare the parts with glass or mirror:
- Stick double-sided adhesive tape with a thickness of up to 0.8 mm onto the profile
 - Apply a tape primer to the insert (promoting additional adhesion) and then fix the Narrow Glass Frame Profiles and Wide Glass Frame Profiles (CKRU0505, CKRU0651) on the prepared surface
 - Tighten the profiles with the Glass Frame Corners (ANV16-06)

Narrow Glass Frame Profile
(CKRU0505)Wide Glass Frame Profile
(CKRU0651)

The outside of the profile



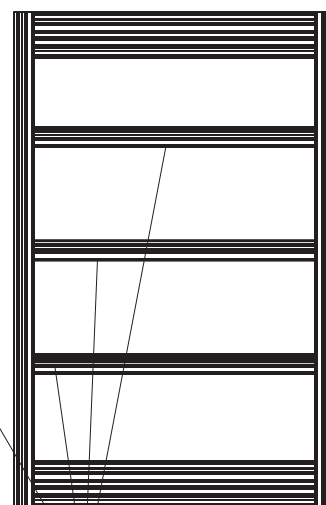
Top door insert



Middle door insert



Bottom door insert

Door inserts combined
using mirror or glassAdditional Narrow Glass
Frame Profile (CKRU0505)**Note**

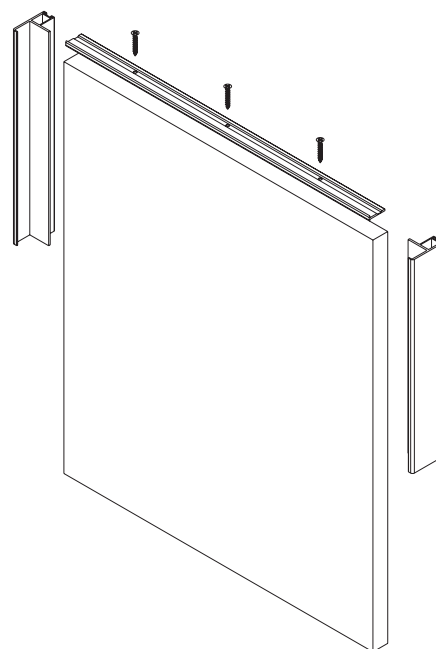
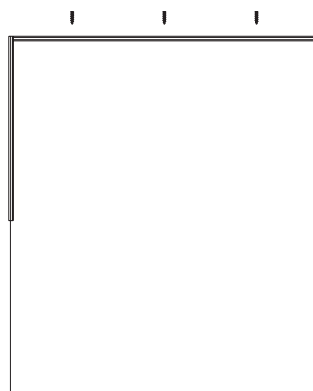
It is necessary to install additional Narrow Glass Frame Profiles (CKRU0505) depending on the door height:
 1000 - 1500 mm - one additional profile
 1500 - 2000 mm - two additional profiles
 over 2000 mm - three additional profiles

- 2 Prepare the door components of the required size: cut the panels and the profile.

- 3 Mark and drill holes:

- \varnothing 3 mm on the horizontal rail at the center of the groove with intervals of 300-500 mm for fixing the screws
- \varnothing 4 mm on the inside of the vertical profile along the groove with intervals of 300-500 mm
- In the profiles for the mounting of rollers and brackets

- 4 Install the horizontal rail on the panels with screws 2,9*19 mm. For proper positioning we recommend to use small segments (cut-offs) of the stile Nova.

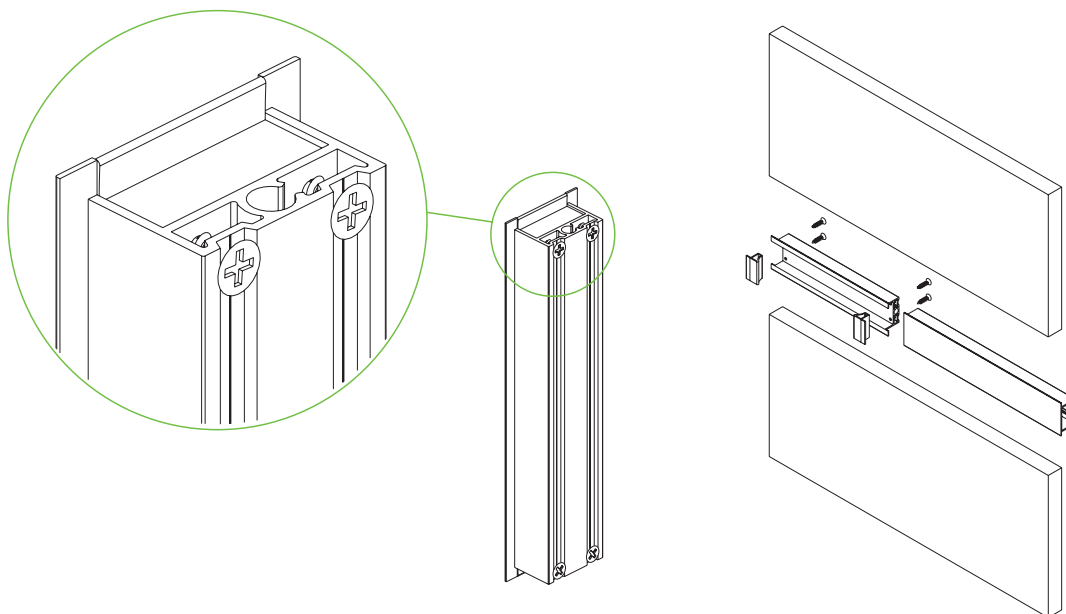
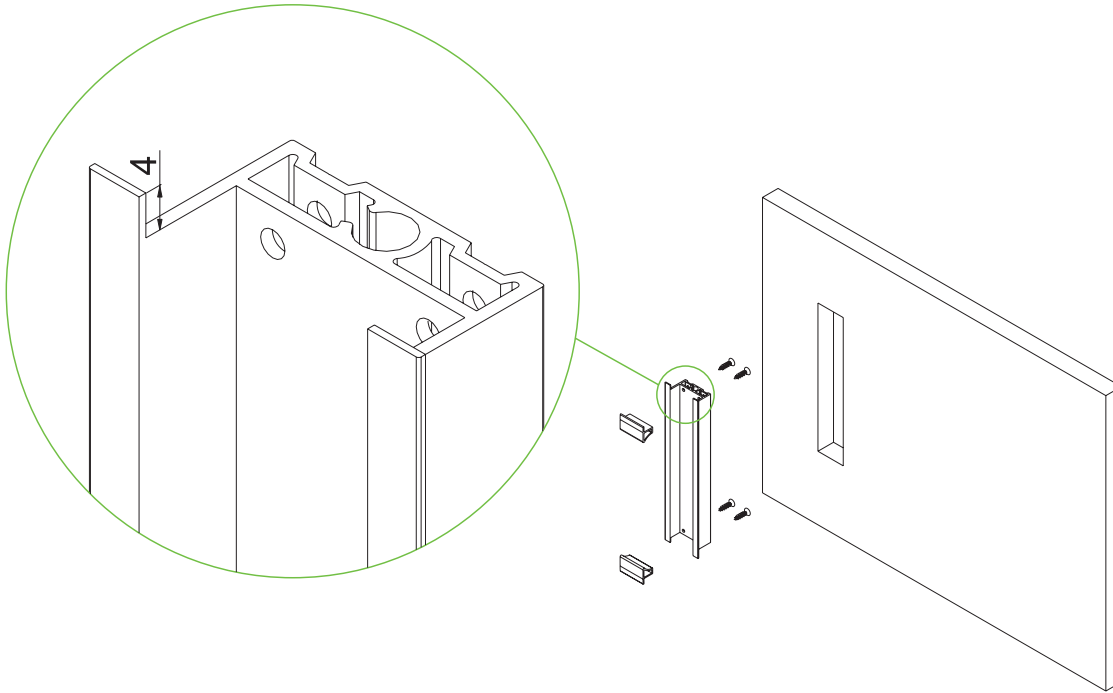


* We recommend using 3M tape 93020LE with the adhesive coating 300LSE of 200 microns (0.2 mm) thick, or any other tape with similar characteristics.

5 Install pre-assembled handle. Handle installation options:

- Into the panel: first you need to mill a rectangular hole into the panel, according to the size of the handle, then insert
- Insert the handle as part of the dividing rail

Use a self-tapping countersunk screw 2.9*13 mm. Cut the handle rail as shown in the picture below (pay attention to the needed 4 mm protrusion at the top edges of the element).

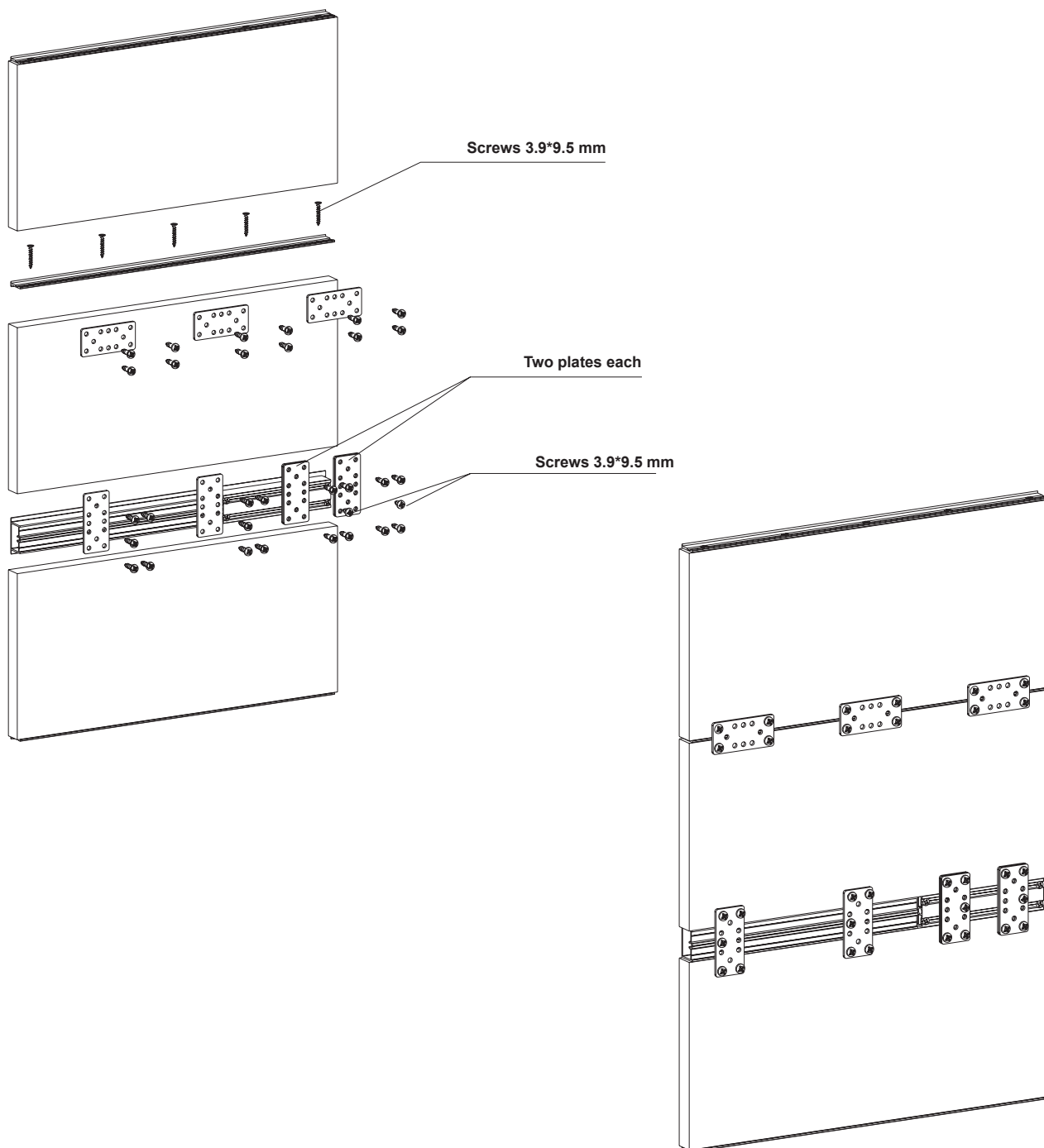


6 To mount the door panels use the Support Plate (ANV16-05) at intervals of 300-400 mm.

- Connect the panels with each other using the Support Plate and screws (3.9*16 mm).
- When installing the Support Plate on the Dividing Rail, fix them to the center of the profiles with screws.
- To insert the panel with glass or mirror, use 3.9*9.5 mm screws

For proper positioning of the Support Plate we recommend to use small segments (cut-offs) of the Stile Nova.

To fix the Support Plate to the Handle Rail CKRU0485, use 4 Support Plates and 3.9*9.5 mm screws.

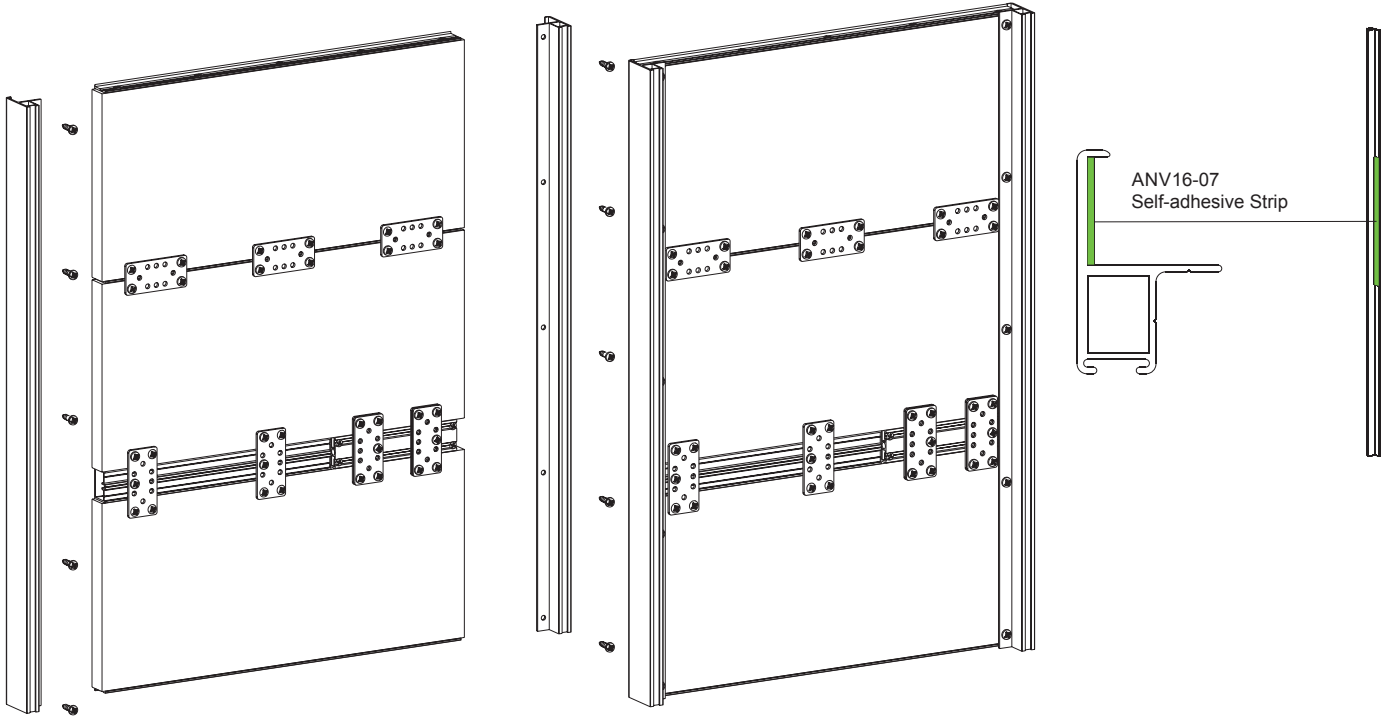


Recommendation:
For glossy or painted MDF panels, please use sheet metal screws 4.2*13 mm

NOVA System. Assembling NOVA Door Panels with a Mirror on the Frame.

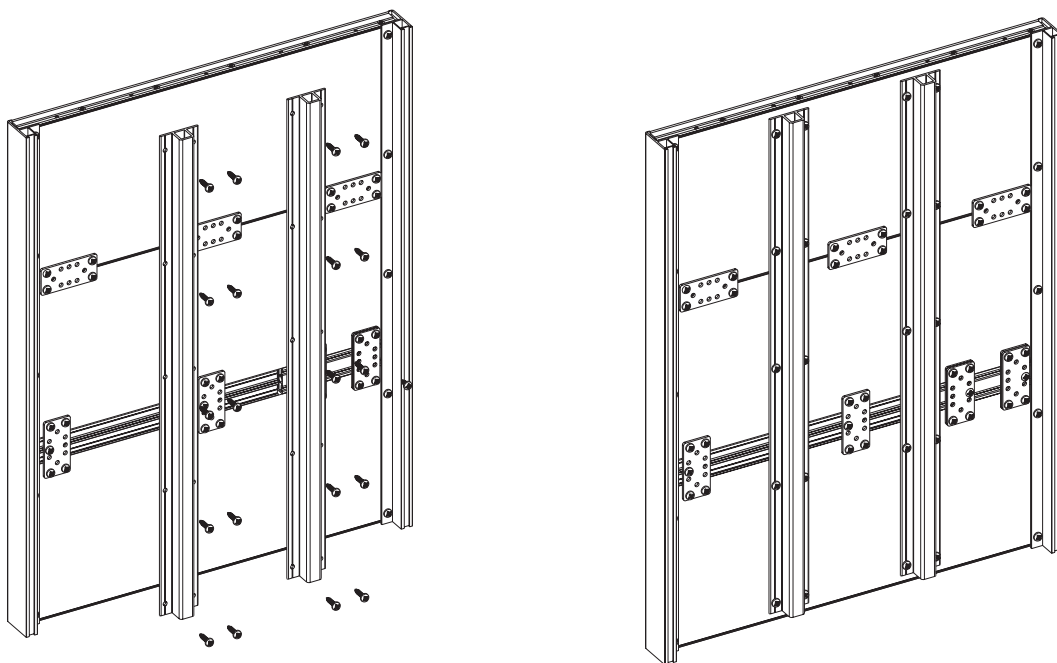
7 Pre-mount the Stile Nova the the panels using a rubber mallet. Fasten them with the screws 3.9*16 mm, using pre-drilled holes of Ø 4 mm at intervals of 300-400 mm. If the insert uses glass or mirror, then use screws 3.9*9.5 mm

If the insert uses a mirror or glass, firstly stick a self-adhesive strip (ANV16-07) on the inside of the profile at the junction with the insert (see image below).



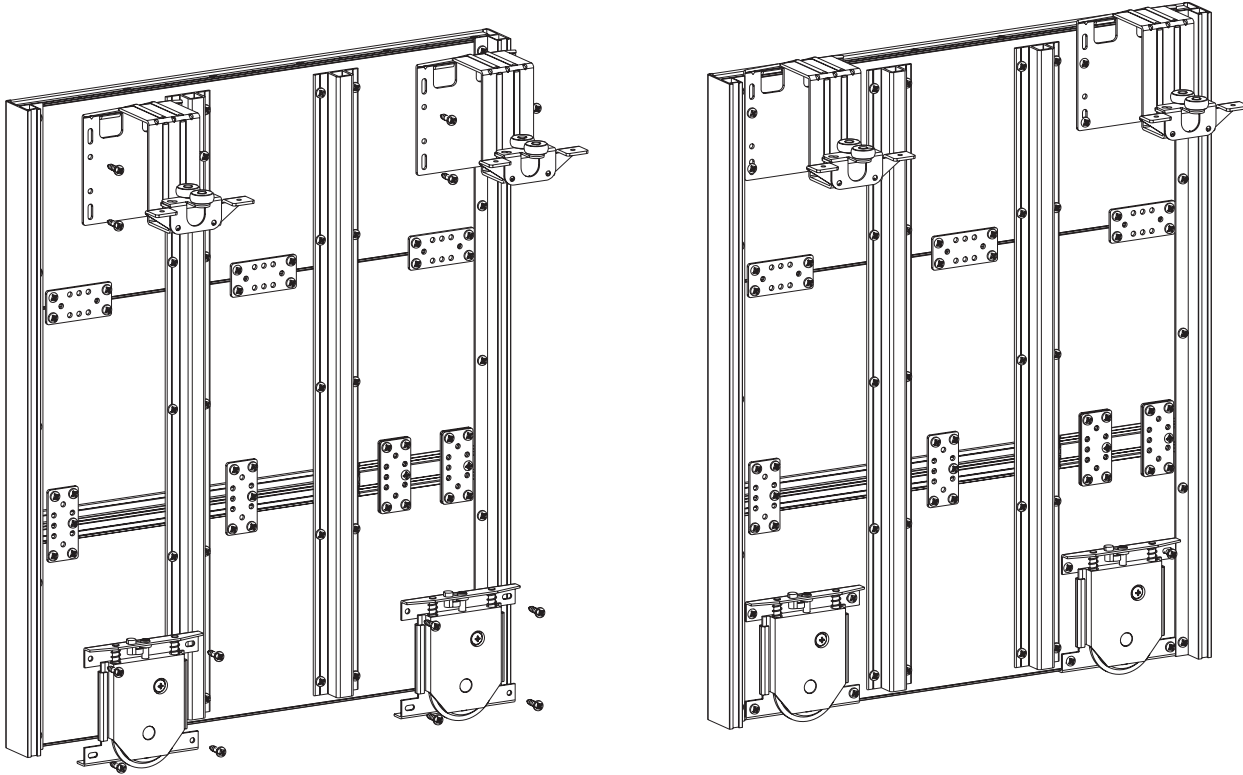
8 Fix the vertical support profile (CKRU638) to the insert, using screws 3.9*16 mm and pre-drilled holes Ø 4 mm at intervals of 300-400 mm. If the insert uses mirror or glass, please use screws 3.9*9.5 mm.

For installation make sure that the door lies flat on an even horizontal plane, otherwise it must be leveled before mounting the vertical support profiles.



9 Fasten the bottom rollers, soft closers, top rollers, brackets (if you chose the hidden top track) to the back side of the door with screws 3,9*16 mm. If the insert uses mirror or glass, use screws 3.9*9.5 mm.

For transportation, it is recommended to mount the brackets directly at the door installation site.



10 Add the Weather Strip to the Stile Nova.

